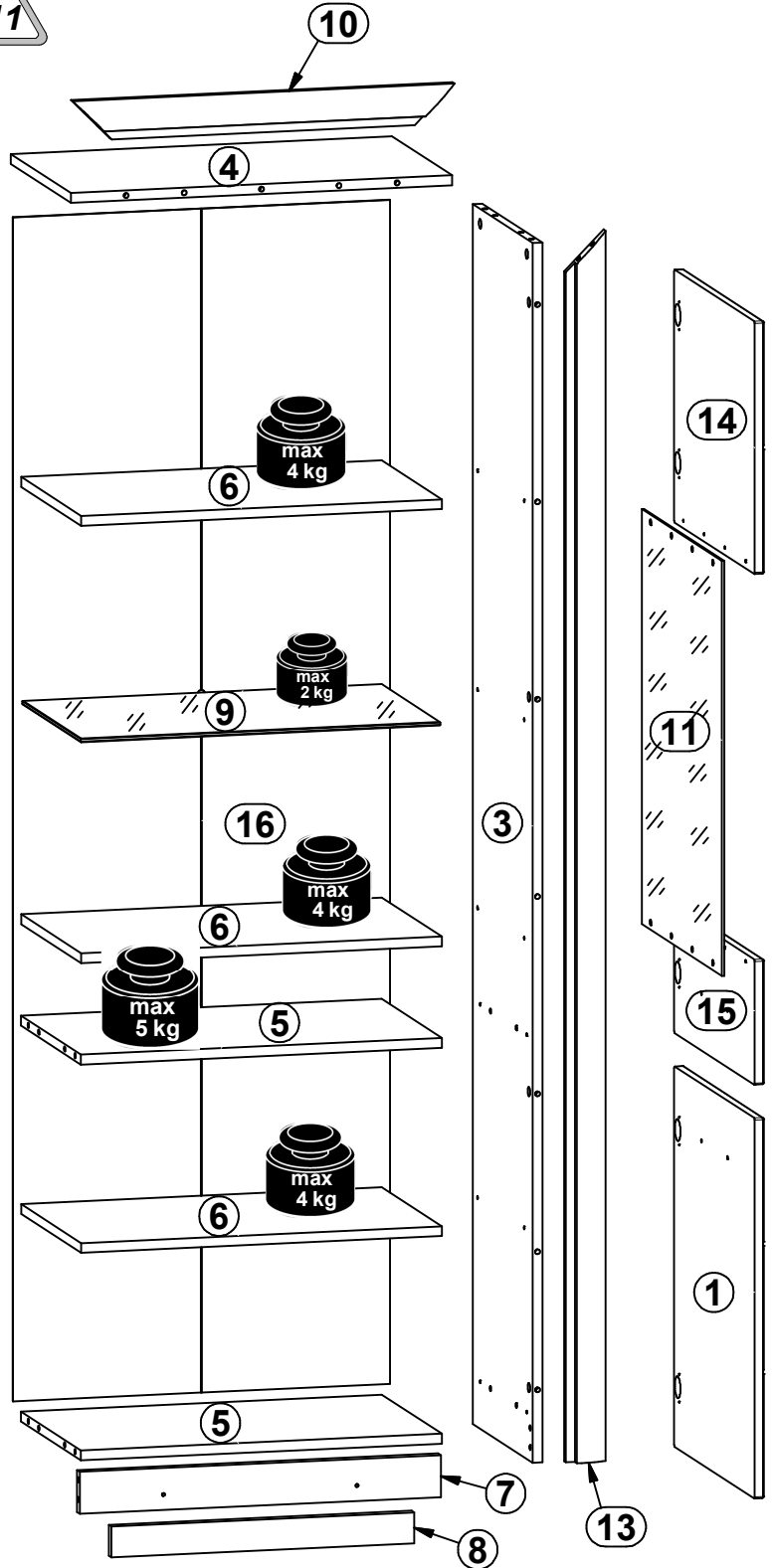
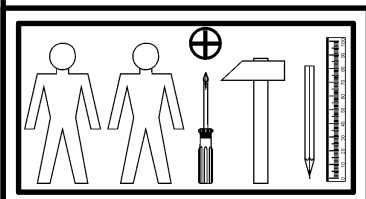
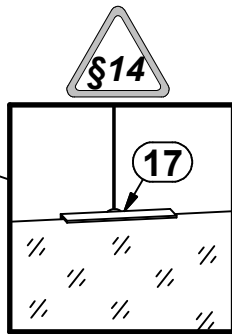
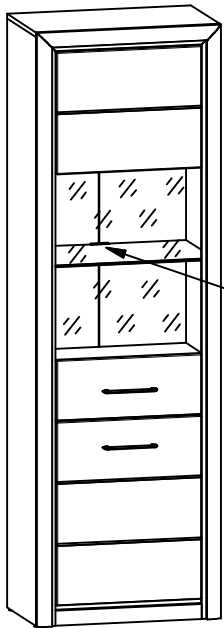


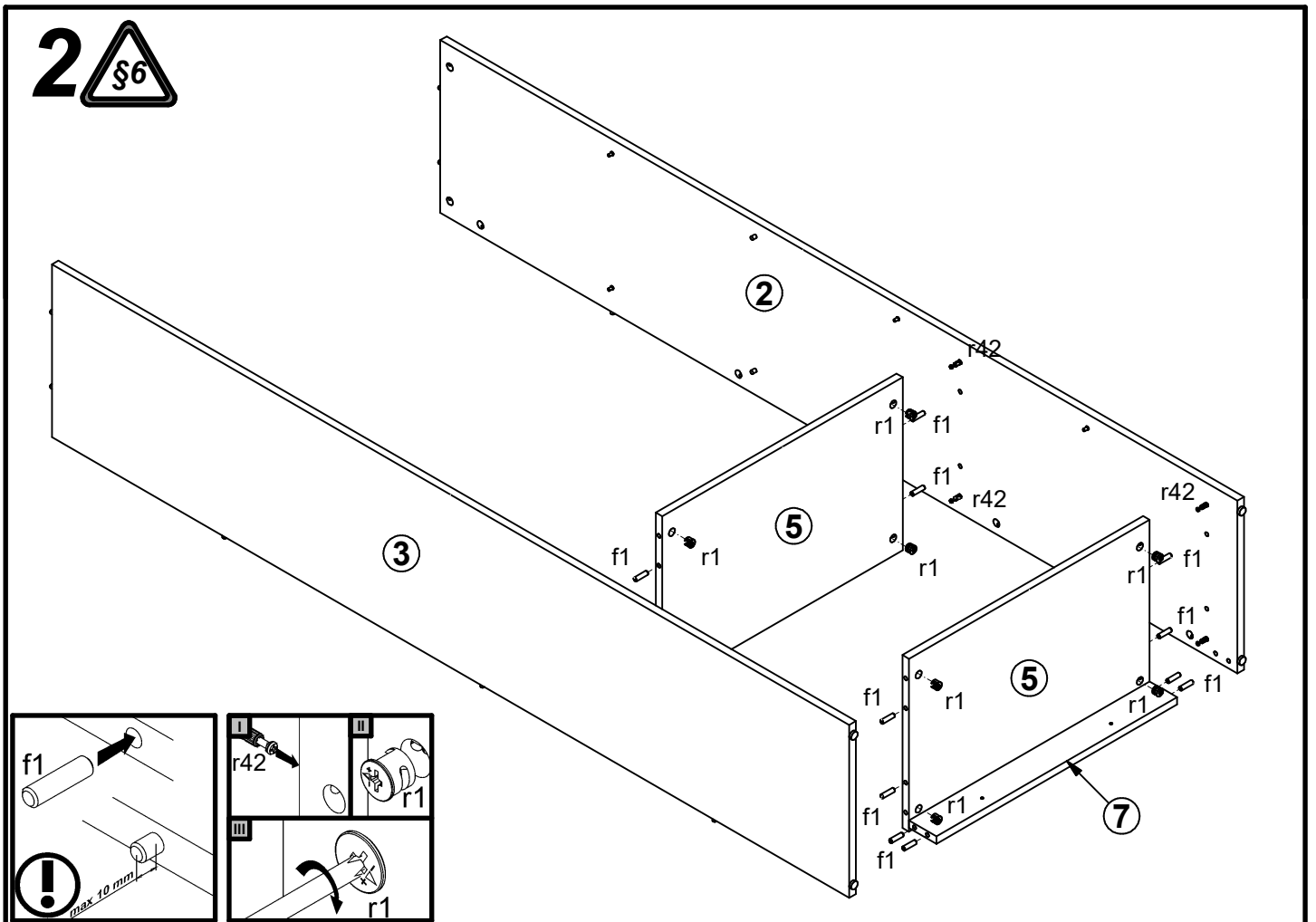
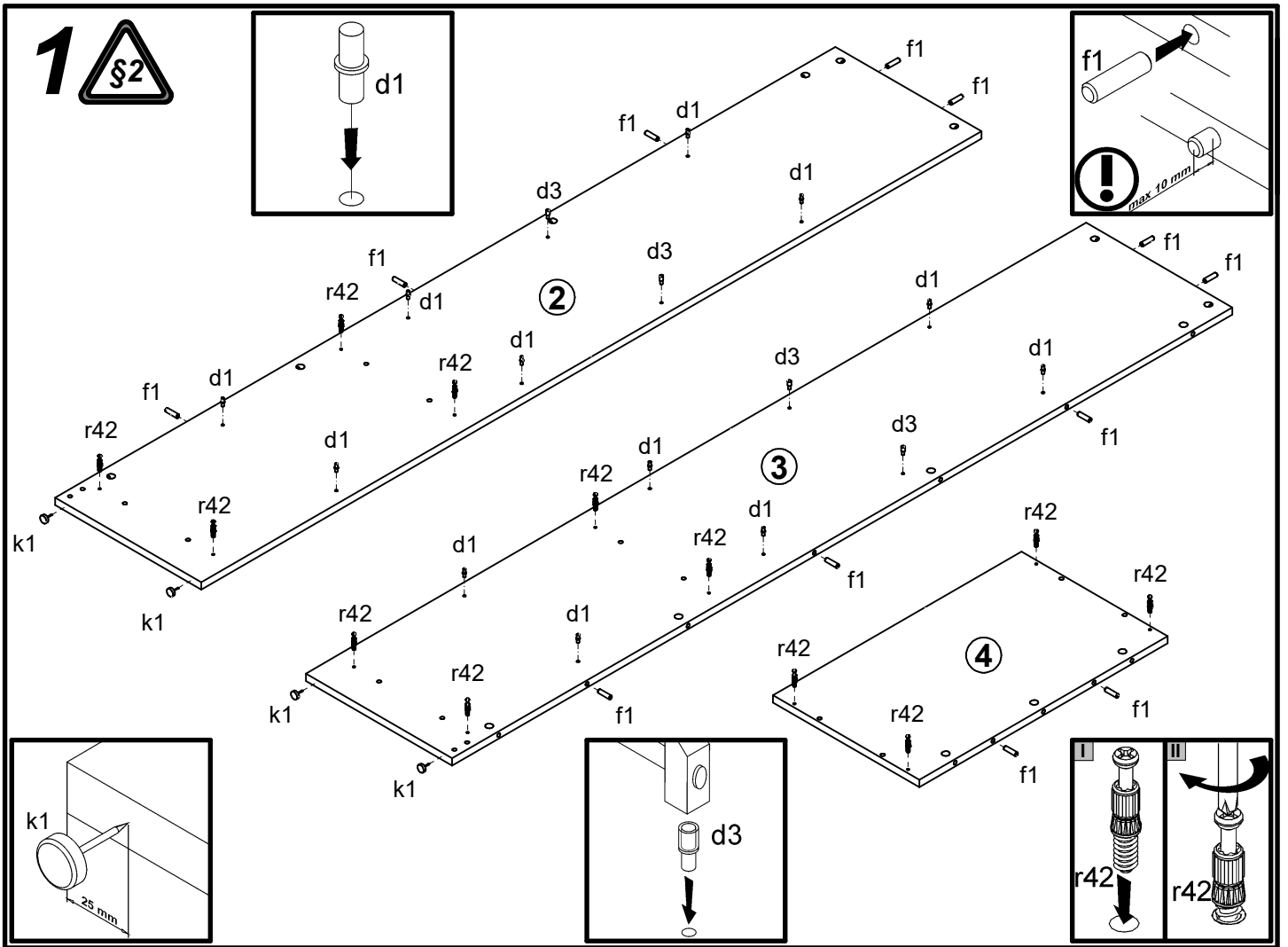
A	B	C	D	
1	S337-0005	496	617	5/5
2	S337-1014	1978	371	1/5
3	S337-1015	1978	371	1/5
4	S337-2005	630	371	2/5
5	S337-3007	597	371	2/5
6	S337-3008	596	371	2/5
7	S337-4011	597	68	2/5
8	S337-4012	501	50	2/5
9	S337-5012	595	360	4/5
10	S337-5013	631	65	3/5
11	S337-5014	673	494	4/5
12	S337-5015	1995	65	3/5
13	S337-5016	1995	65	3/5
14	S337-7010	496	410	5/5
15	S337-7011	496	203	5/5
16	S337-9305	1920	623	1/5



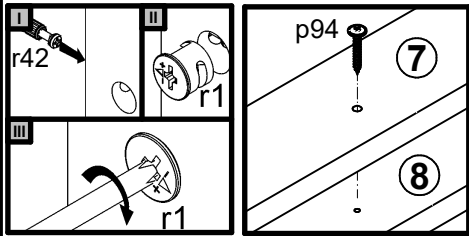
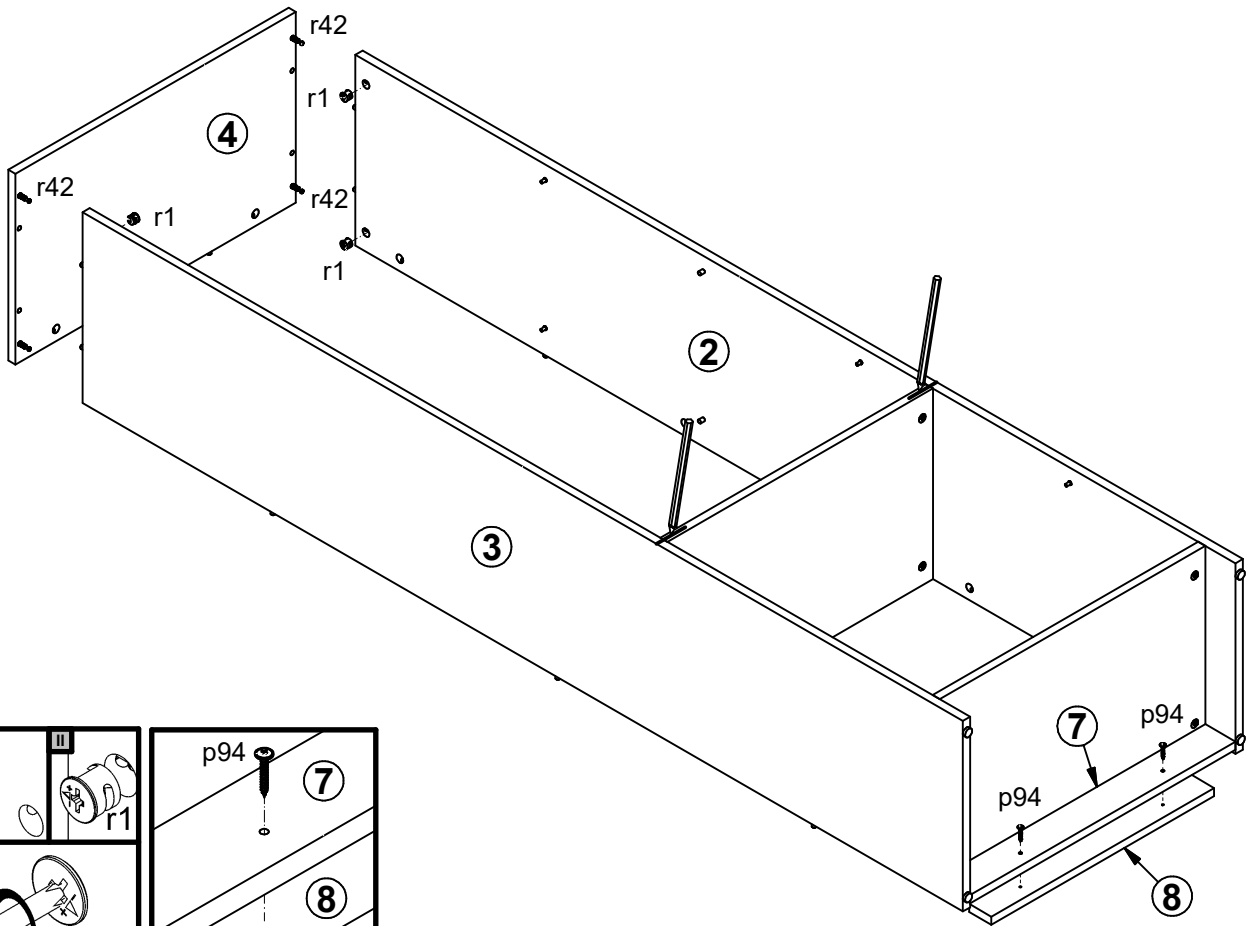
A	B	C	D
17	qb20\1_F-BI		1/1



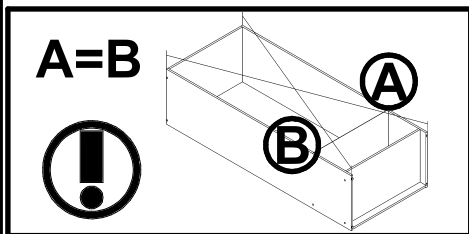
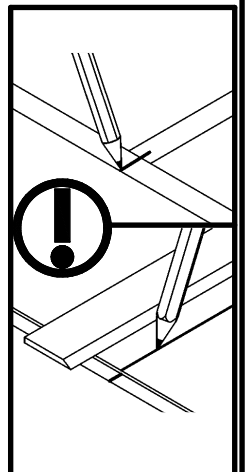
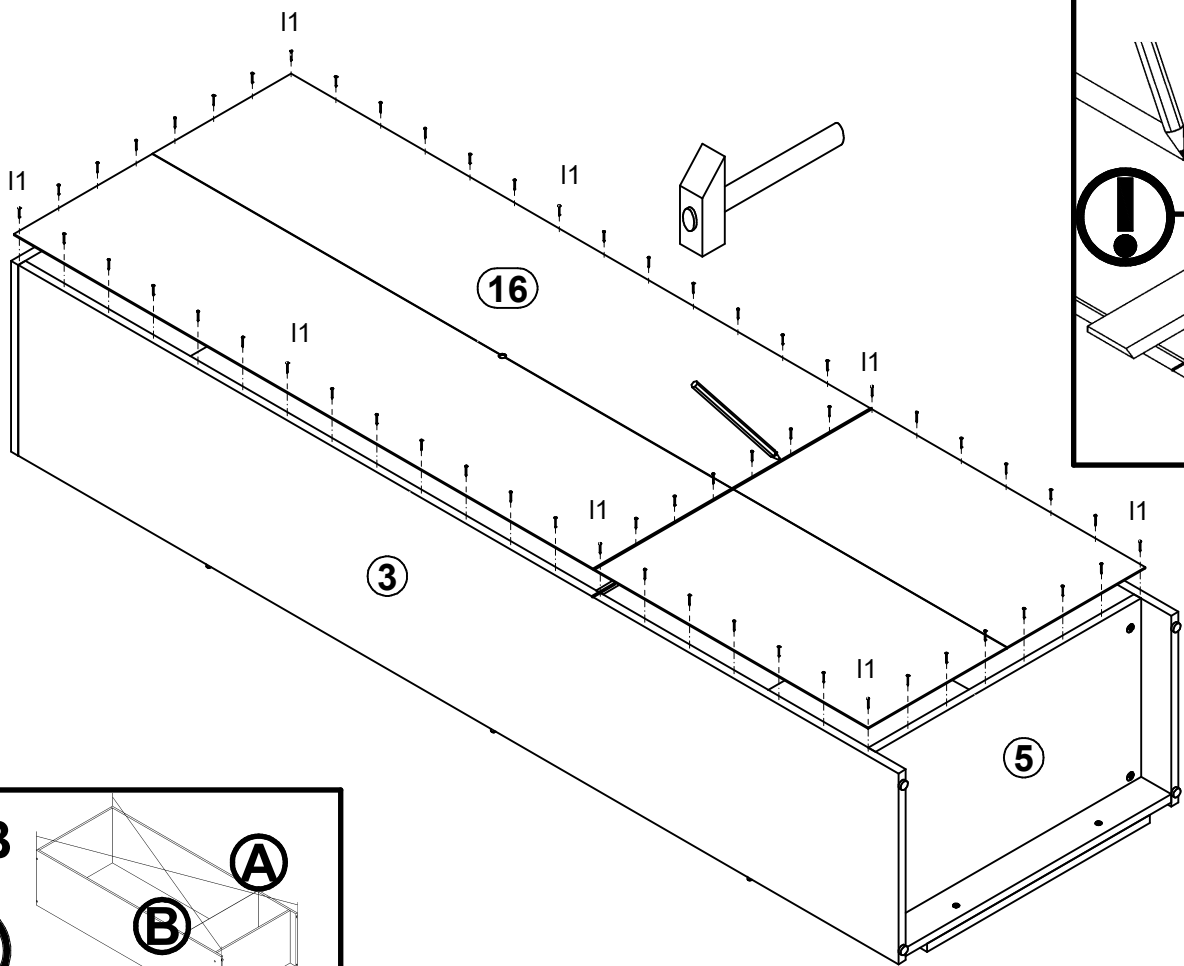
5x a99	5x b43	2x c431 160 mm	12x d1 Ø5x17 mm	4x d3 Ø5x17 mm	10x e2 Ø6.3x13 mm	8x e47 Ø5x16 mm	26x f1 Ø8x30 mm	4x j30 M4x22 mm
4x k1	50x l1	1x n26	8x o54 Ø5.3/Ø8.3x4.8 mm	1x p38 Ø3.5x16 mm	10x p51 Ø3.5x15 mm	2x p94 Ø4x28 mm	27x r1 Ø15x12 mm #16	2x r10
23x r42 20/11	12x s2 Ø16							



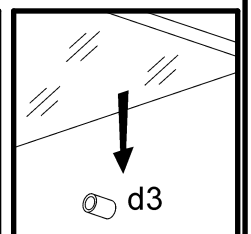
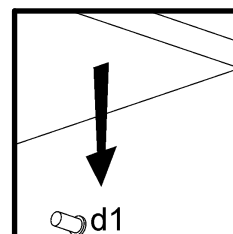
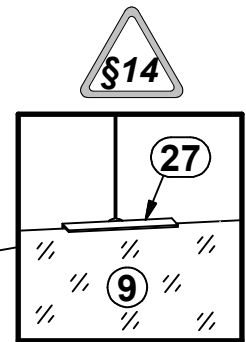
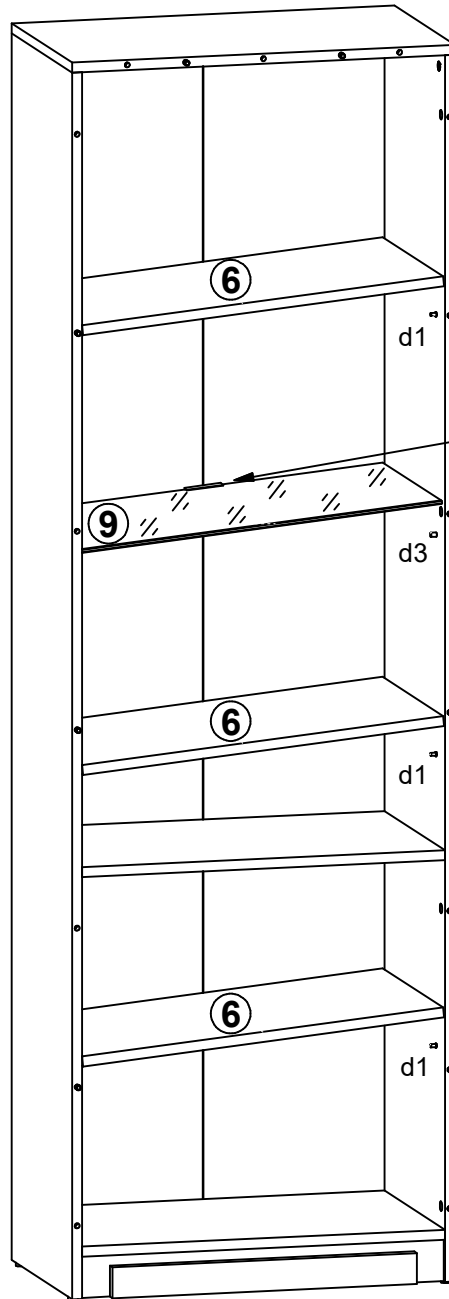
3



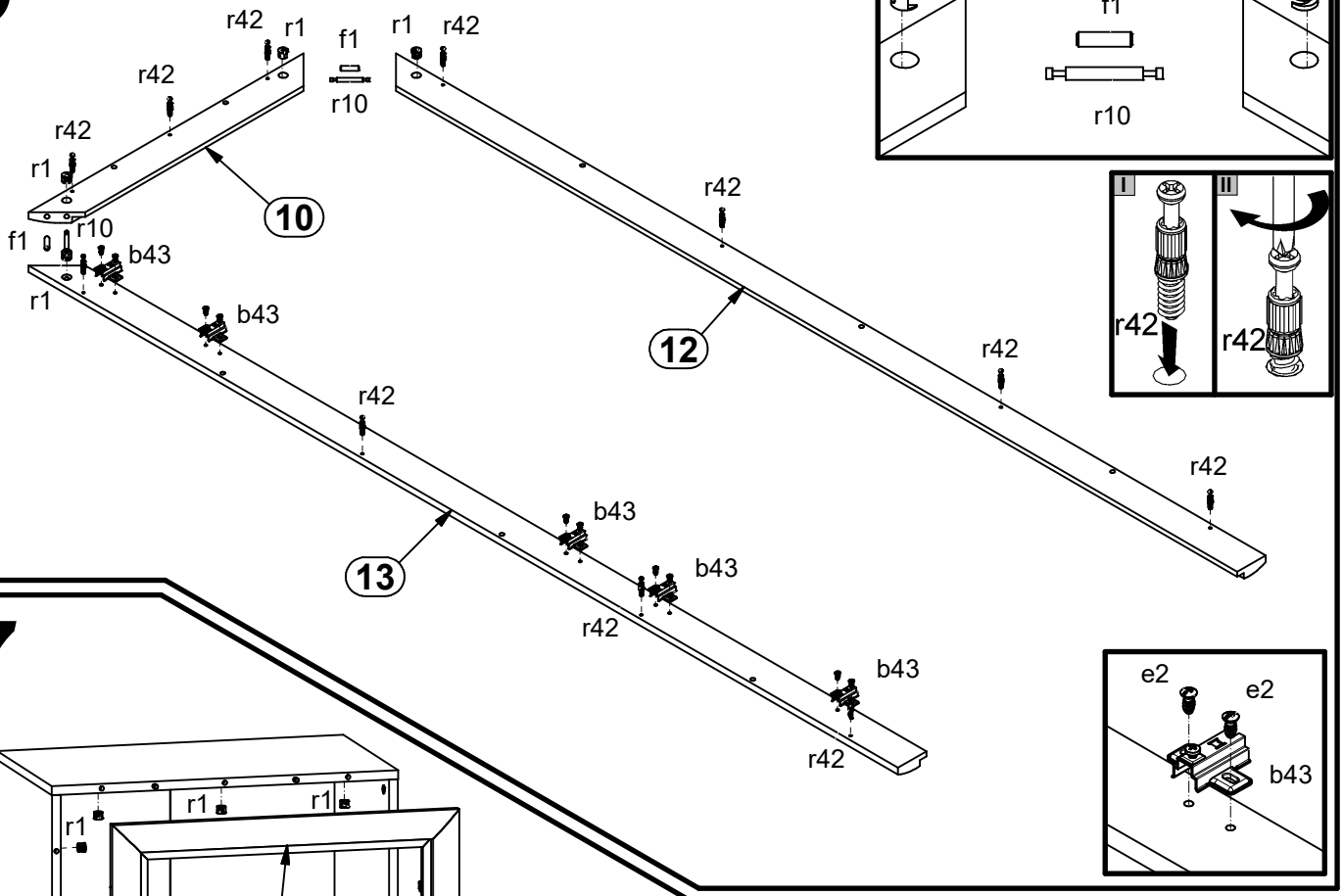
4



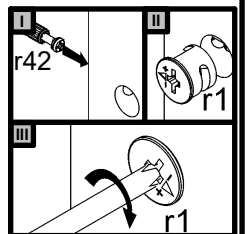
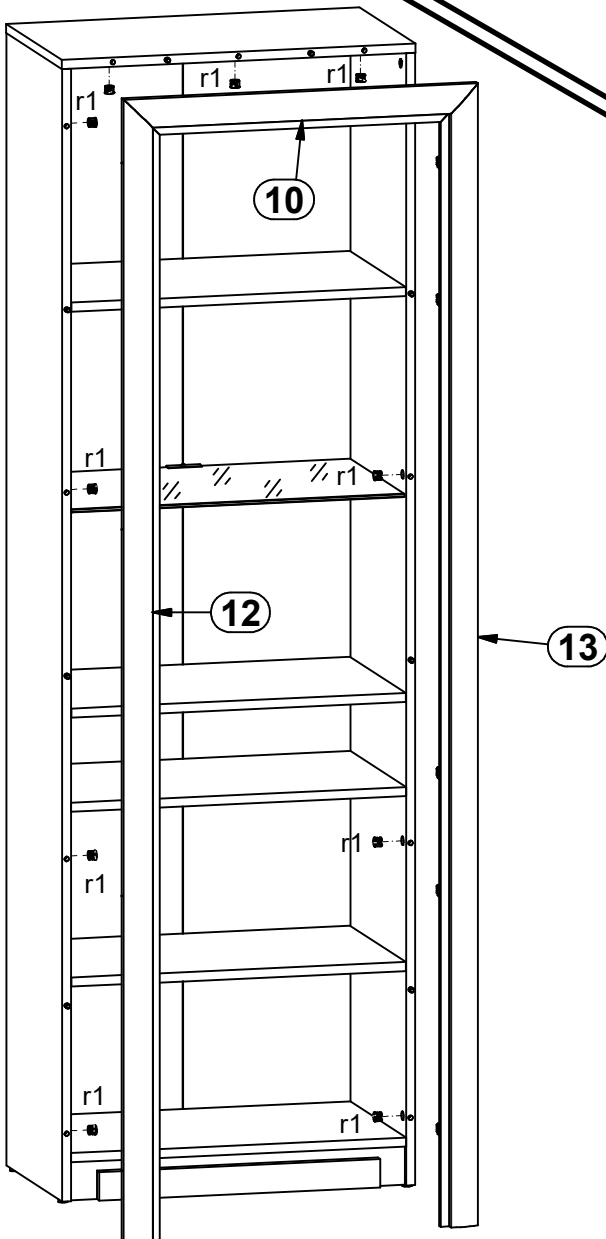
5



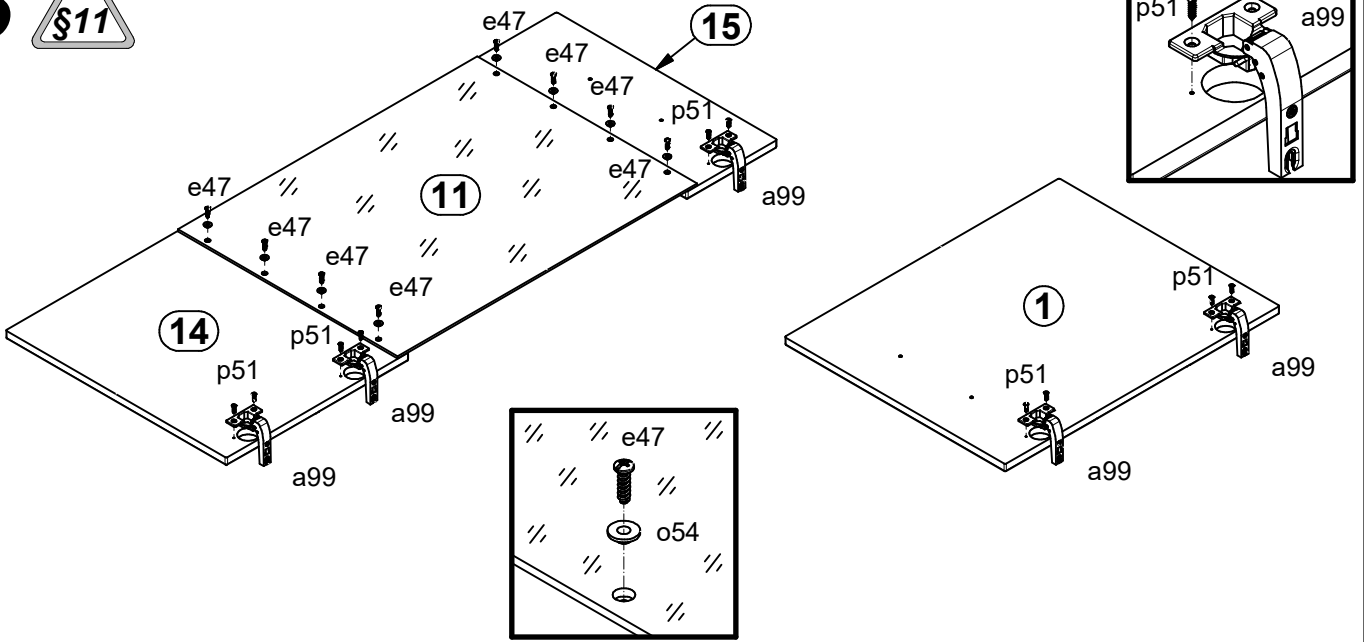
6



7



8



9

